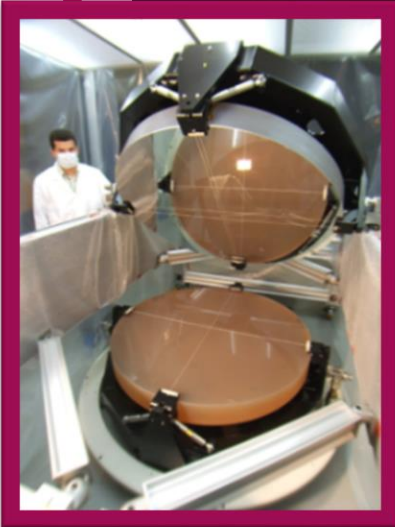


**SAFRAN REOSC**



# Interferometric Equipment

**Safran Reosc Solutions**

Capitalizing on its renowned expertise in high-precision optical metrology, Safran Reosc offers interferometric measurement solutions for high precision optics, equipped with its image analysis software, to support the development of optical manufacturers and integrators.

- High performance
- Solution for flat & free form optic
- Nm accuracy
- Installation and training support
- On demand customization
- Adaptable to any size & contour
- Software provided

# Safran Reosc INTERFEROMETRIC EQUIPMENT

## A Unique Know-How

Safran Reosc develops and supplies **metrology solutions for measuring optical surface shapes, with low resolution and high accuracy, in a very wide diameter range** (up to 3 meter).

Many equipment are part of Safran optical workshop and have already proven their performance.

All our solutions are equipped with our own develop image analysis software, called WARPP.

Thanks to the easiness of use and our complete operator training performed by our experts, our customers can easily use this equipment to be directly operational, to reach the nm.

**Every solution comes with its image analysis software and dedicated customized training!**

Safran Reosc catalog is large. It includes among others:

- **Free form test bench** to measure concave surface spherical or aspherical, for any contour or diameter, with a measurement accuracy down to the nm accuracy.

- **Beam expanders** to control flat surfaces for any contour or diameter, with a measurement accuracy down to the nm accuracy.

- **Fast temporal phase shift Fizeau interferometer**, for cavity length from 4 mm to several meters with high dynamic, high resolution, and high acquisition frame rate.

We can also go beyond and customize equipment on demand.

### Key Parameter

Flat/ Spherical/ Free form optical shape  
Noise error <1nm RMS  
SFE: nm accuracy  
Any optic contour & size

## Safran Catalog

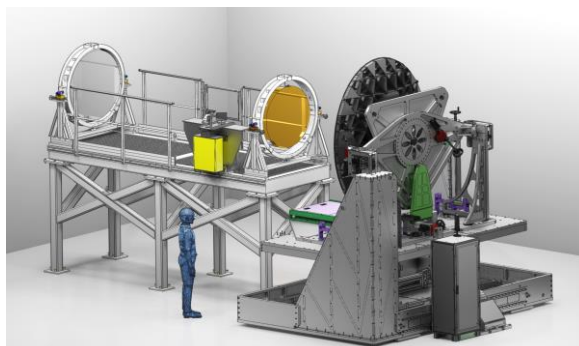
### Freeform test bench

Diameter range: up to 2m  
Concave surface  
spherical & free form  
software provided  
nm accuracy



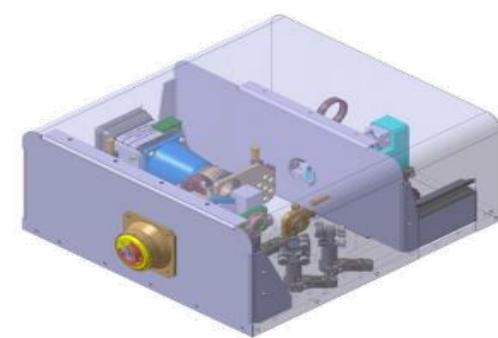
### Beam Expander

Diameter range: up to 2,7m  
Flat surface  
Plano & freeform  
software provided  
Nm RMS accuracy



### Interferometer

Fast temporal phase-shift (800 fps)  
Laser wavelength: 636,6 nm  
flat-flat /concave-convex  
Cavity length: 4 mm to a few meters  
Robust phase reconstruction algorithm  
High resolution (1920x1440)



Safran Reosc  
Web site: [safran-reosc.com](http://safran-reosc.com)  
Contact mail: [Safran-Reosc@safrangroup.com](mailto:Safran-Reosc@safrangroup.com)

