

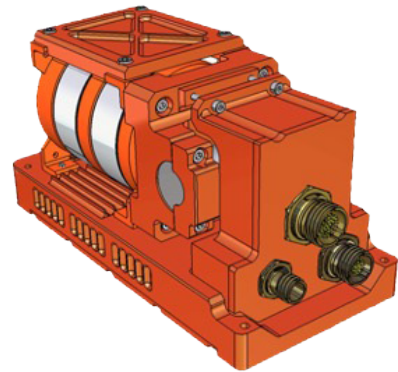
DATA SYSTEMS



ACQUIRE & PROCESS RECORD DISTRIBUTE REPLAY

B.SAFE

Crash Survivable Audio and Data Recorder



ENERTEC



CRASH SURVIVABLE MEMORY UNIT

The B.SAFE is a crash-survivable flight data recording for aboard defense aviation aircraft and helicopters

The B.SAFE can recorder audio, video & data on a Crash Survivable Memory packaged in a rugged and very compact chassis. Recorded data can be replayed in a standard PC/Windows® environment, using post mission analysis software.

Safran Data Systems offers Embedded Information Management Solutions in a variety of rugged, versatile, scalable equipment and associated services, providing efficient, reliable, and affordable resources for field/mission data acquisition, processing, storage, exploitation and dissemination, for on board operation manned or unmanned ground, air and sea vehicles.



Fighter,
Advanced
trainer



Military
helicopter

ARINC 717 COMPLIANT

16 GB STORAGE CAPACITY(MORE
THAN 25 HOURS OF RECORDING

QUALIFIED TO ED-112A

MODULAR CRASH-SURVIVABLE
RECORDING MEDIA, WITH SOLID-
STATE MEMORY

ETHERNET INPUT/OUTPUT

OPTIONAL UNDERWATER LOCATOR
BEACON (ULB)

TECHNICAL SPECIFICATIONS**General characteristics**

Power supply:	28 VDC, typ. 10W
interface:	ARINC-717
	Ethernet Fast & Giga
	RS-422A input (optional)
	Audio
Storage capacity:	16GB
	more than 25h in ARINC-717
Dimensional envelope (L×H×W):	mm & inch
Weight:	≤ 7 kg / 15lb (incl. optional underwater locator beacon)
MTBF (MIL-HDBK-217F, AIF 35°C):	crash protected media: 50,000 h
whole unit:	20,000 h
Image and Video acquisition through ethernet	

Environmental conditions

Storage temperature	-55°C to + 71°C
Operating temperature	-40°C to + 71°C
Temperature variation	3°C/minute
Altitude	50,000 ft
Humidity	95% R.H.
Vibration, operating	4.48g RMS
Vibration, endurance	1mm 5-30 Hz
	4g 30-50 Hz
	2g 50-2,000 Hz
Shock, operating	+ 10g / 9 ms, 3 axes
Acceleration	+ 15g, 3 axes
Fungus resistance	
Salt spray	
Electromagnetic compatibility	per MIL-STD-461E

COMPATIBILITY WITH OTHER PRODUCTS OF THE PORTFOLIO**VS1410 Video & Data Recorder / Server****Crash survivability**

Qualified to ED-112A

Impact shock	3,400g, 6.5 ms, half sine
Penetration	227kg/3.05 m/6.4 mm pin
Static crash	three main faces and four diagonals submitted to a force of 22.25 kN during 5 minutes
Fire protection	1,100°C during 60 minutes 260°C during 10 hours
Deep sea pressure	-6,000m during 30 days
Fluid immersion	48 hours in aeronautic corrosive fluids, and 30 days in sea water
Optional Underwater Locator Beacon	

GLOBAL SALES

5, Avenue des Andes - CS 90101 - 91978 Courtaboeuf Cedex - FRANCE - Tel.: +33 1 69 82 78 00 - Email: sales.zds@zodiac aerospace.com

USA

3005 Business Park Dr - Norcross, GA 30071 - USA - Tel.: +1 770 753 4017 - Email: sales.zds@zdsus.com